



PORTABLE CONVEYORS

Quality Portable Conveyors From The Most Trusted Name In Fertilizer Handling Equipment

16" And 24" Elevating Undercar Conveyors

Doyle Elevating Undercar Conveyors are built to be "user friendly". Their horizontally adjustable axle placement makes balancing a breeze, and they fit under today's low profile hopper cars. Operator safety is maximized by the enclosed tail, transition and incline section. Cleanliness is good due to their solid horizontal conveyor pan.

Easy handling, speed and cleanliness. The Doyle Elevating Undercar gives you it all.



24" wide belt,
8' hor., 8' incline

Horizontally
adjustable axle

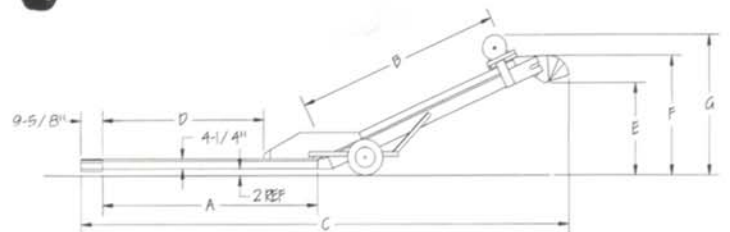


16" wide belt, 8'
hor., 8' incline



24" wide belt, 8'
hor., 4' incline

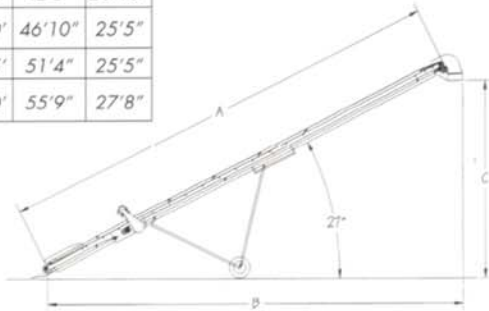
Specifications



HORIZONTAL A	INCLINE B	C DIM	D DIM	E DIM	F DIM	G DIM
8 FT	4 FT	175.5"	72"	20"	30.5"	41.5"
12 FT	4 FT	223.5"	120"	20"	30.5"	41.5"
8 FT	8 FT	219"	72"	40"	50.5"	61.5"
12 FT	8 FT	267"	120"	40"	50.5"	61.5"

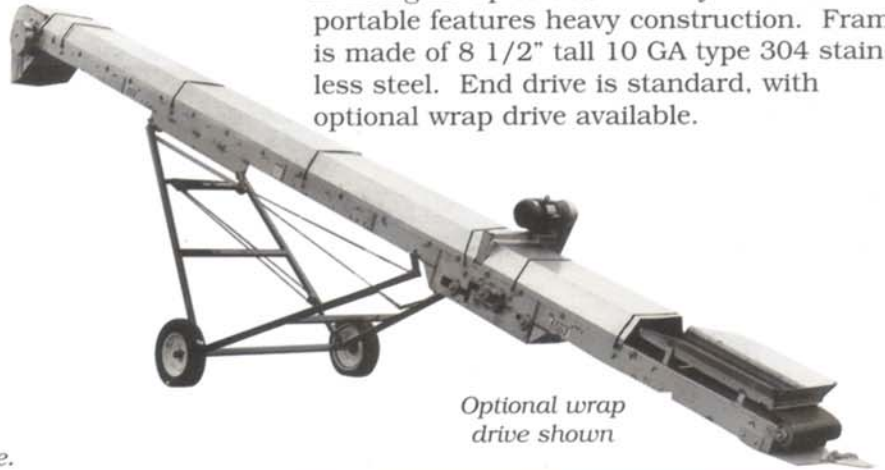
Portable Tri-Roll Conveyors

A	B	C
30'	29'0"	14'0"
36'	34'5"	16'9"
40'	37'11"	18'7"
45'	42'5"	20'10"
50'	46'10"	25'5"
55'	51'4"	25'5"
60'	55'9"	27'8"



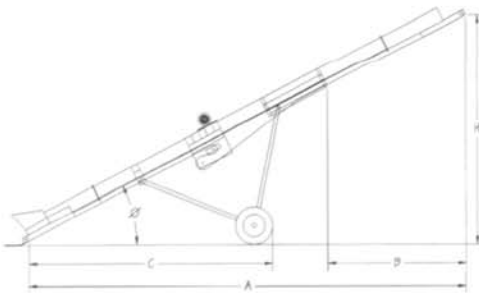
Dimensions based on 27 degree conveyor incline.

Available in 18" and 24" widths and in lengths up to 60'. The Doyle Tri-Roll portable features heavy construction. Frame is made of 8 1/2" tall 10 GA type 304 stainless steel. End drive is standard, with optional wrap drive available.



Optional wrap drive shown

Portable Tube Conveyors



Conveyor Length	H at 25 deg	H Min.	H Max.	A [At 25 degrees incline]	B	C
20'	8'11"	8'1"	11'2"	18'6"	3'3"	12'4"
25'	11'1"	8'5"	13'4"	23'3"	6'11"	13'0"
30'	13'2"	10'11"	15'1"	27'8"	10'7"	15'6"
35'	15'4"	11'6"	19'0"	32'1"	11'6"	17'0"
40'	17'4"	14'4"	20'5"	36'7"	14'11"	18'11"
45'	19'7"	12'6"	25'6"	41'4"	12'8"	22'6"
50'	21'9"	15'6"	27'5"	45'8"	15'11"	24'7"
55'	23'11"	19'2"	29'1"	50'4"	19'9"	26'3"

A versatile conveyor able to handle a wide variety of bulk materials. The 12" wide belt runs in a 10" diameter tube, so there are no carrier rollers to replace. Lengths up to 65' are available.



Portable Flat Undercar Conveyors

Available as a slave driven or self-powered conveyor, they are built in either 12" or 24" belt widths.



Conveyor Length	H	A	B
8'	17"	4-1/8"	7 deg
12'	17"	4-1/8"	5 deg
16'	16-1/8"	4-1/8"	3 deg



Doyle Equipment Mfg. Co., Inc.

P.O. Box 3024 • 3900 Broadway

Quincy, Illinois, USA 62305

217-222-1592, Fax 217-223-3655

E-mail: doyle@rnet.com • Website: www.doylemfg.com