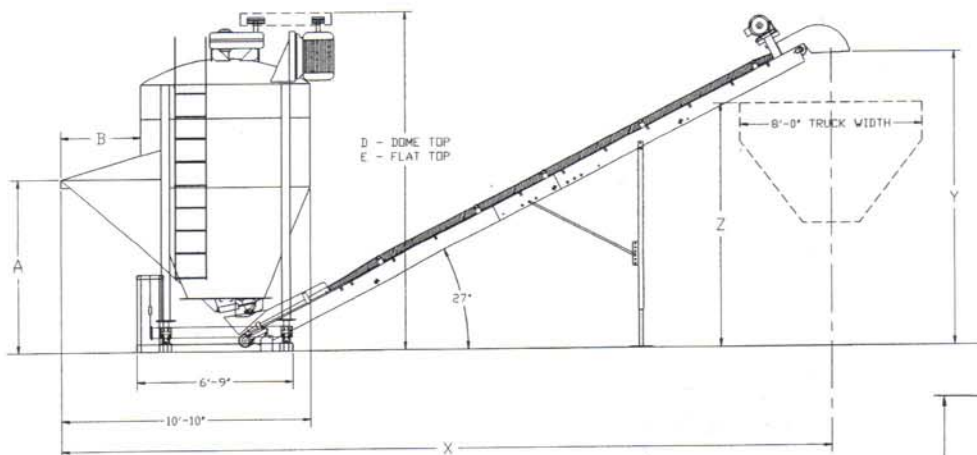
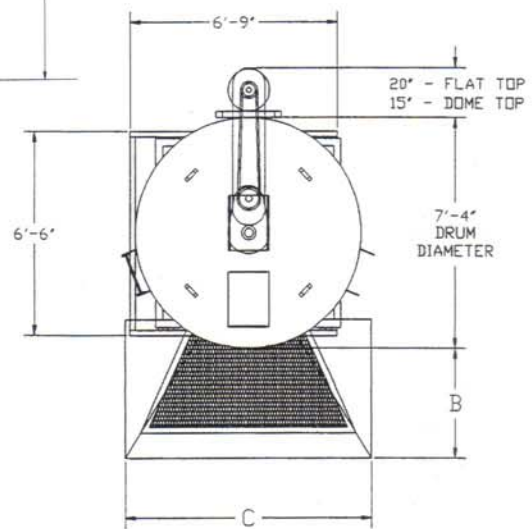


Doyle Vertical Specifications



CONVEYOR LENGTH	DIMENSIONS		
	X	Y	Z
20'	27'-5"	9'-6"	7'-5"
24'	31'-0"	11'-4"	9'-3"
27'	33'-8"	12'-8"	10'-7"
30'	36'-4"	14'-0"	11'-11"
36'	41'-8"	16'-9"	14'-8"
40'	45'-3"	18'-7"	16'-6"

IN-LINE SETUP



HOPPER SIZE	DIMENSIONS		
	A	B	C
LARGE	7'-6"	3'-6"	8'-0"
MID-SIZE	6'-11"	3'-3"	7'-6"
LOW-PROFILE	6'-4"	3'-0"	6'-9"

BLENDER SIZE	DIMENSIONS	
	D	E
6 TON	13'-1"	12'-0"
8 TON	14'-9"	13'-8"
10 TON	16'-5"	15'-4"

Options

Blend Tower Uses



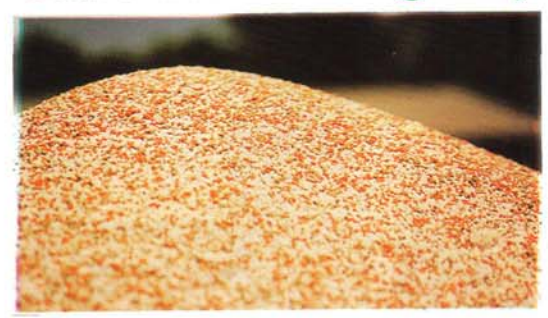
Put a Doyle Vertical Auger Blender to work for you either in your existing tower, or in a new Doyle Blend Tower.

Impregnation Kit



Our impregnation kit comes with a 70 gal. tank, 3 h.p. motor and pump. The impregnation ring is stainless steel.

Guaranteed Blend Quality



Reliability and speed aren't worth much if the blend quality isn't top-notch. The Doyle Vertical Auger system has passed the toughest blend tests in the world, with "Triple A" results from a ten sample test taken from a single batch.

Doyle Equipment Mfg. Co., Inc.
 P.O. Box 3024
 Quincy, IL 62305
 217/223-3655 • FAX